

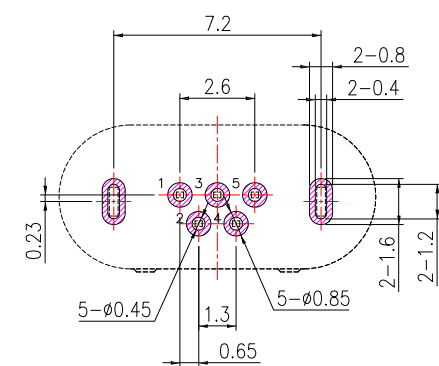
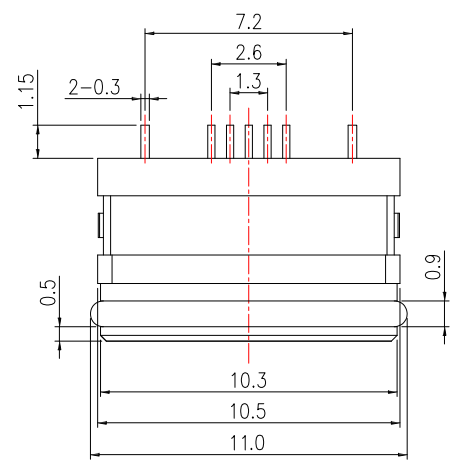
IPX7



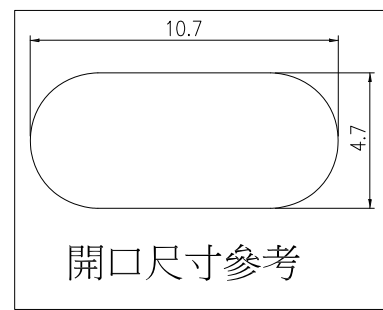
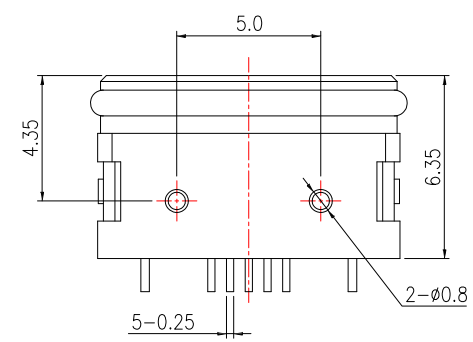
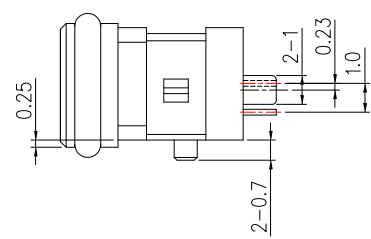
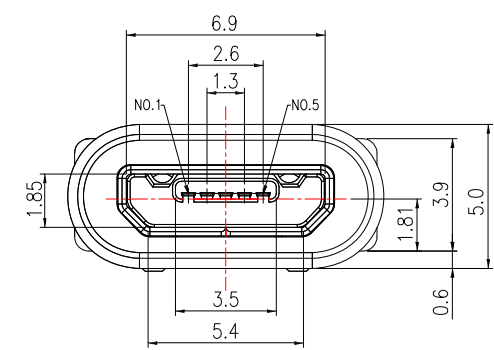
MRUSB-5B-WP18-x-S404

鍍層厚度：

Blank : 1u"
2 : 15u"
3 : 30u"



P.C.B LAYOUT MOUNTING PATTERN



Contact Number	Signal Name	Remarks
1#	VBUS	Power
2#	D-	Date-
3#	D+	Date+
4#	ID	Reserve or Gound
5#	GND	Gound

- NOTES:
- MATERIAL:
- 1.1 HOUSING: PA9T / LCP
 - 1.2 CONTACT: PHOSPHOR BRONZE
 - 1.3 SHELL: SUS
- FINISH:
- 2.1 CONTACT: PLATED GOLD IN MATING AREA ;
GOLD PLATED ON SOLDER BALLS ;
NICKEL UNDER PLATED OVERALL
 - 2.2 SHELL: NICKEL UNDER PLATED SURFACE LAYER
- 3.SPECIFICATION:
- 3.1 RATING: 1.5A
 - 3.2 DIELECTRIC WITHSSTANDING VOLTAGE: 500 VAC
 - 3.3 CONTACT RESISTANCE: 30 mΩ MAX.
 - 3.4 INSULATION RESISTANCE: 1000 MΩ MIN.



TOLERANCE UNLESS OTHERWISE STATED:	Up to 5 ±0.2	Above 5 ~ 15 ±0.3	Above 15 ~ 30 ±0.4	Above 30 ~ 50 ±0.5	Angle ±0.3°
	3RD. ANGEL'S	UNITS	MM		

DRAWN BY:	DATE	MAT'L	TITLE	CONNECTOR
Jack Lu	06/25/21		MODLE	MICRO USB 5PF B TYPE H 3.9 防水型 IPX7
CHECKED BY:	DATE	FINISH	SCALE	1 : 1
Jacky Chen	06/25/21		DWG NO.	MRUSB-5B-WP18-x-S404
APPROVED BY:	DATE	SHEET NO.	PART NO.	MRUSB-5B-WP18-x-S404
Tony Kao	06/25/21	1 of 2		

ITEM NO.	DESCRIPTION	DRAWN	DATE